

The REMstar Pass-over Humidifier is for use with most Respironics CPAP and bi-level systems. **This humidifier is *not* for use with Respironics Virtuoso®, Virtuoso LX, Virtuoso Choice, or Quarter® Systems.** The humidifier moistens the air delivered by the CPAP and bi-level devices.

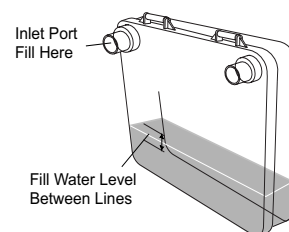
REMstar® Pass-over Humidifier Operating Instructions



- CAUTION:** U.S. federal law restricts this device to sale by or on the order of a physician.
- CAUTION:** Make sure the gasket is in place at all times when the humidifier is in use. If the gasket becomes stretched, replace it with a new one.
- CAUTION:** Take precautions to protect furniture from water damage.
- CAUTION:** To maximize the life of the tubing, avoid exposure to sunlight or any other forms of ultraviolet radiation.
- WARNING:** To prevent possible electrical hazards, do not allow water to come in contact with the CPAP or bi-level device. Do not fill the humidifier while it is attached to the CPAP or bi-level system.
- WARNING:** Contact your physician if any nasal congestion occurs while using the humidifier.

Filling the Humidifier

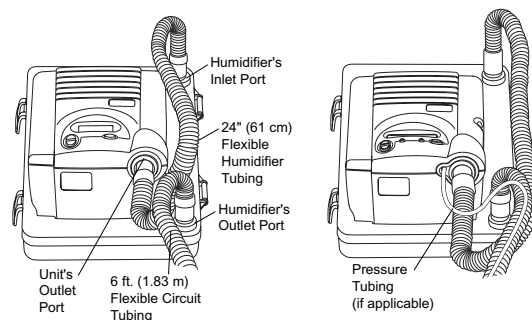
Hold the humidifier in a horizontal position and pour enough water through the top port so that when you tilt the humidifier up into a vertical position, the water level is between the fill lines on the front of the humidifier (approximately 1-1/2 cups). **Distilled water is recommended.**



Connecting the Humidifier

WARNING: For safe operation, the humidifier must always be positioned below the circuit connection at the mask and the outlet port on the CPAP or bi-level device. The humidifier must be level for proper operation.

- With the device turned off, connect one end of the 24" (61 cm) flexible humidifier tubing to the inlet port on the top of the humidifier. Connect the remaining end of the tubing to the outlet port on the front of the CPAP or bi-level device.
- Connect the patient circuit to the outlet port on the front of the humidifier. If applicable, connect the pressure tubing to the pressure port on the front of the device.

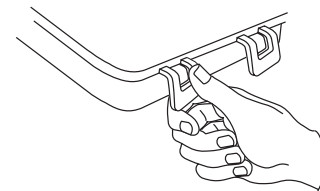


Cleaning the Humidifier

WARNING: The humidifier should be emptied and cleaned DAILY. This will help prevent mold and bacteria growth.

- Disconnect the tubing from both humidifier ports. Pull the bottom of each latch forward to release. Empty any water remaining in the humidifier.
- Wash the tubing and humidifier in a solution of warm water and mild dish washing detergent. Rinse with clean water and allow to air dry.

NOTE: The humidifier is dishwasher safe if placed on the top rack. The tubing and gasket are **not** dishwasher safe. Place the humidifier upside down on the top rack of the dishwasher. Rinse thoroughly after removing from the dishwasher. When using a dishwasher, Respironics recommends that the humidifier be washed separately and that the water temperature be at least 130° F (54° C).



- Inspect the humidifier and gasket for signs of wear or deterioration. Replace the gasket if it is cracked, deformed, or will not seal properly. To replace the gasket, remove the old gasket from the humidifier. Insert the new gasket into the groove, making sure it fits snugly all along the groove. Discard the old gasket.

Reordering Numbers

Warning: Use only Respironics replacement parts. Use of parts not recommended by Respironics may impair the system's performance and safety.

Order #	Item
1006087	REMstar Pass-over Humidifier
1006575	Replacement Gasket (pkg. of 2)
1006833	Replacement 24" (61 cm) Flexible Tubing, Gray
532331	Replacement Bumper Feet (pkg. of 4)


RESPIRONICS INC.®
1001 Murry Ridge Lane
Murrysville, Pennsylvania
15668-8550 USA

RESPIRONICS®
Deutschland
Gewerbestrasse 17
82211 Herrsching Germany

