

RESMED

Mirage Activa™ Nasal Mask

The ultimate in seal and comfort

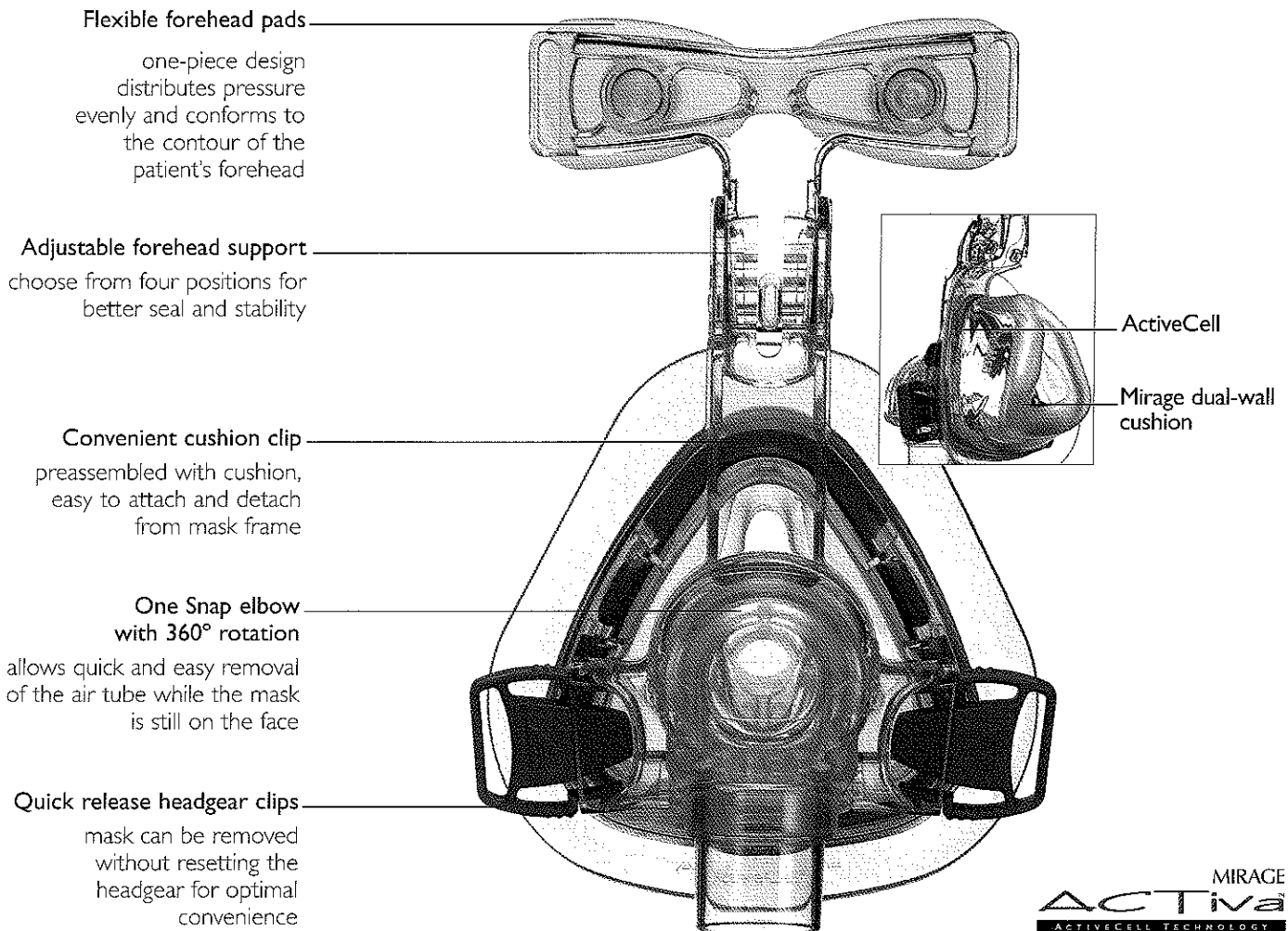
The Mirage Activa™ incorporates ActiveCell™ Technology (ACT)—ResMed's exclusive, auto-stabilizing cushion technology. ACT combines the proven comfort and seal of Mirage® cushion technology with an inflatable chamber that expands and contracts during therapy.

Automatically adapts and seals

ACT allows the mask to automatically adapt and respond to changes that occur during sleep, such as changes in body position.

Savings in time and cost

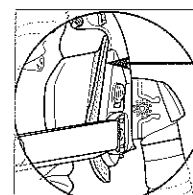
The mask's innovative design increases efficiency, reduces overall cost, and improves compliance.



MIRAGE
ACTiva
ACTIVECELL TECHNOLOGY
The first nasal mask with
ActiveCell Technology

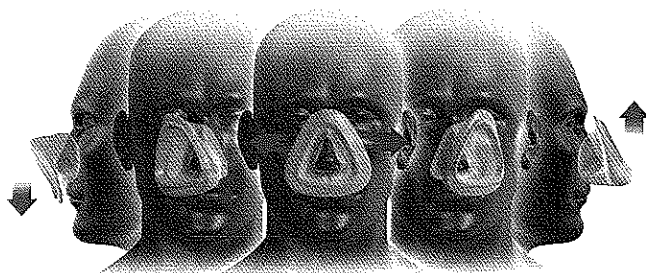
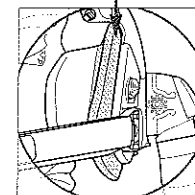
Technology highlight—ActiveCell Technology

- The ActiveCell is an inflatable chamber that expands and contracts during therapy, providing a unique, active seal and a dynamic defense against mask leak.
- ActiveCell Technology minimizes dependence on headgear strap tension.
- The ActiveCell helps prevent leak while minimizing pressure on the face.
- The ActiveCell functions as an independent suspension, keeping the cushion in place even when various forces pull or push the mask frame in different directions.



ActiveCell

- expandable chamber
- inflates when therapy starts



Patient benefits

- More choice of head and body positions and fewer leak-induced arousals may lead to better quality sleep.
- Reduced strap tension and minimized leak offers increased comfort.
- Set-and-forget convenience eliminates the need to continually adjust the headgear.
- Eye and skin irritation are significantly reduced.

Professional benefits

- Mirage Activa can dramatically reduce mask fitting time.
- First-time fit is likely to be achieved more easily with Mirage Activa.
- Improved comfort and therapy acceptance minimize callbacks and returns.
- Increased comfort and leak control can help optimize patient compliance.
- The Mirage Activa can be recommended with confidence.

Mirage Activa Nasal Mask System Product Codes

North and Latin America

Standard 60100
Large 60101
Shallow 60102

Europe (except UK) and Asia Pacific

Standard 60103
Large 60104
Shallow 60105

UK

Standard 60132
Large 60133
Shallow 60134