

RESMED

Ultra Mirage™ II Nasal Mask



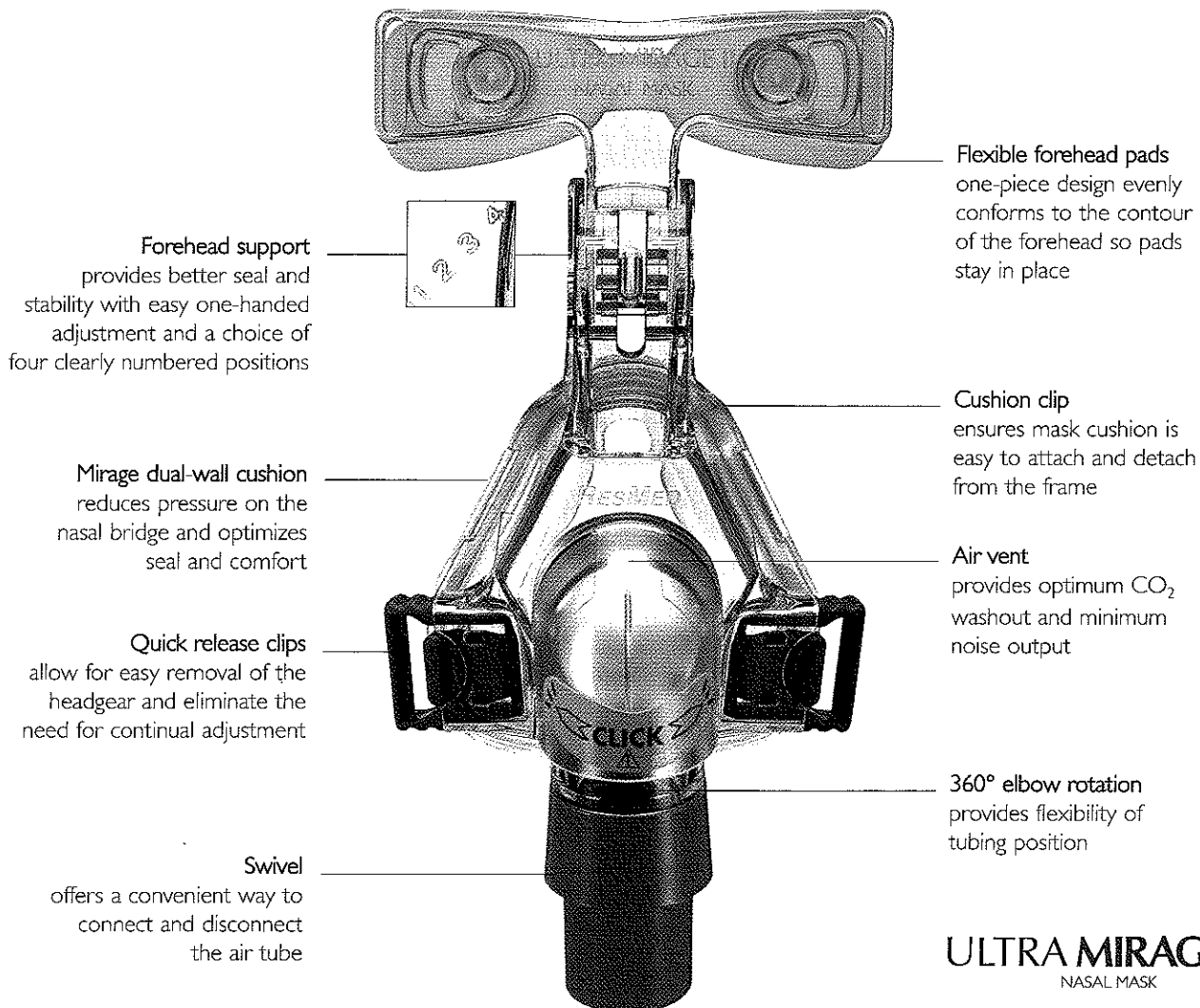
The all-round performer

ResMed's Ultra Mirage™ II Nasal Mask is suitable for the majority of patients on positive airway pressure—using ResMed's CPAP, bilevel, or AutoSet™ devices.

Available in four cushion sizes (Standard, Large, Shallow, and Shallow-wide), the Ultra Mirage II will fit most patients—first time, every time.

The Ultra Mirage II continues to set the benchmark for nasal masks in terms of seal, comfort, and quietness—valuable for effective therapy.

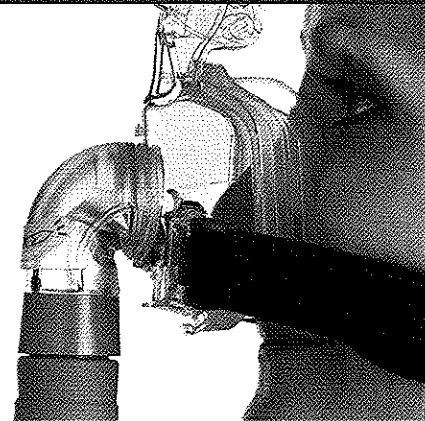
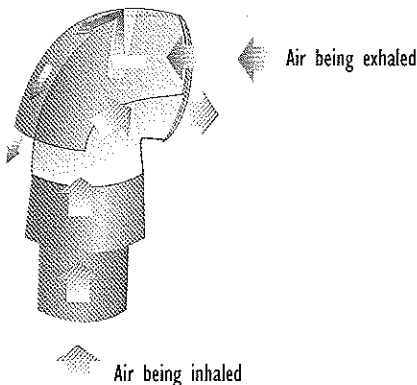
It incorporates ResMed's renowned Mirage dual-wall cushion technology and a unique air vent design for ultra-quiet performance.



ULTRA MIRAGE™ II
NASAL MASK

Technology highlight— unique air vent

- Unique air vent design minimizes airflow intensity and noise.
- Air from the vent is directed down the tube, away from both patient and partner.
- Air vent specially designed to provide adequate flow to wash out exhaled CO₂.



Adjustable forehead support

- Provides additional support especially for those patients on higher pressures and/or bilevel therapy.
- Offers a choice of four numbered positions for better seal and stability.

Swivel

- Provides a convenient way to connect and disconnect the air tube, without removing the mask.
- Allows flexibility for patient movement.

Rotating elbow

- 360° elbow rotation allows patients to choose air tube position for maximum comfort.

Secure and comfortable headgear

- Headgear clips allow quick attachment/detachment of headgear—no further adjustments required after initial fitting.
- Four points of attachment to mask frame for enhanced stability.

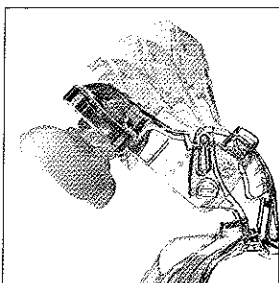
Quick fitting

- Mask is packaged fully assembled with headgear.
- Adjustment of forehead support and headgear is all that is required on initial set-up.

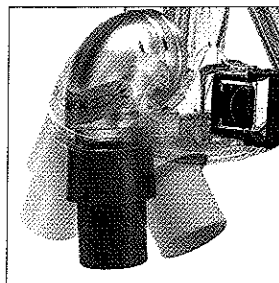
Ultra Mirage II Nasal Mask System

Product Codes

North & Latin America		Europe (except UK) and Asia	
Standard	16548	Standard	16545
Large	16549	Large	16546
Shallow	16550	Shallow	16547
Shallow-wide	16577	Shallow-wide	16578
UK		Australia & New Zealand	
Standard	16321	Standard	16579
Large	16322	Large	16580
Shallow	16323	Shallow	16581
Shallow-wide	16324	Shallow-wide	16582



Adjustable forehead support—
four clearly numbered positions



Rotating elbow—flexibility of air
tube position

ResMed Corp Poway, CA, USA +1 858 746 2400 OR 1 800 424 0737 (toll free), ResMed Ltd Bella Vista, NSW, Australia, 61 (2) 8884 1000 or 1 800 658 189 (toll free). Offices in Austria, Finland, France, Germany, Hong Kong, Japan, Malaysia, Netherlands, New Zealand, Singapore, Spain, Sweden, Switzerland, United Kingdom (see website for details). Protected by patents: AU 710733, AU 741003, AU 766623, AU 772832, DE 29724224, NZ 513052, NZ 526165, US 6112746, US 6357441, US 6374826, US 6412487, US 6439230, US 6463931, US 6532961, US 6557556, US 6581602, US 6634358, US 6691707, US 6796308. Other patents pending. Protected by design registrations: AU 139764, DE 49911833, DE 40301991, FR 997839, FR 031425, JP 1117921, JP 1197930, US D443355, US D486227, US D493522. Others pending. AutoSet, Ultra Mirage, and Mirage are trademarks of ResMed Ltd. ©2005 ResMed Ltd. 1010456/1 05 02